

# EAGLE® LINEAR ACTUATORS



## FEATURES

- Non-rotating drive rod
- Non-backdriving
- All metal gearing
- Compact with electric mechanical repeatability
- Simple to mount; easy to wire
- Comparable cost to pneumatic or hydraulic systems
- Equivalent in size to hydraulic or pneumatic cylinders
- Operating range -40°F to +150°F



## Temperature Range

Ambient: -40°F to +150°F



## Motor Data

115V, 1Ph, 4.3A\*  
230V, 3Ph, .52A\*  
460V, 3Ph, .26A\*  
575V, 3Ph, .75A\*  
CSA approval  
Class B Insulation  
NEMA "D" design

\* Full load current (Amps).

## STANDARD EQUIPMENT

- Thermal switch in motor winding
- Two independently adjustable, gear driven position limit switches with all metal gearing
- Nickel-plated drive rod
- Clevis and pin on drive rod end
- Weatherproof and/or Dust-Ignition proof (Class II, Division 1 & 2, Groups E, F and G) enclosure
- Anti-friction bearings on all drive components
- All metal gearing
- Cast aluminum construction
- Clevis mount on the motor end
- Permanently lubricated for maintenance-free operation
- Heavy duty industrial motor; 115 VAC, 60 Hz, single phase, TENV, permanent split capacitor, high starting torque, low inertia

## OPTIONAL EQUIPMENT

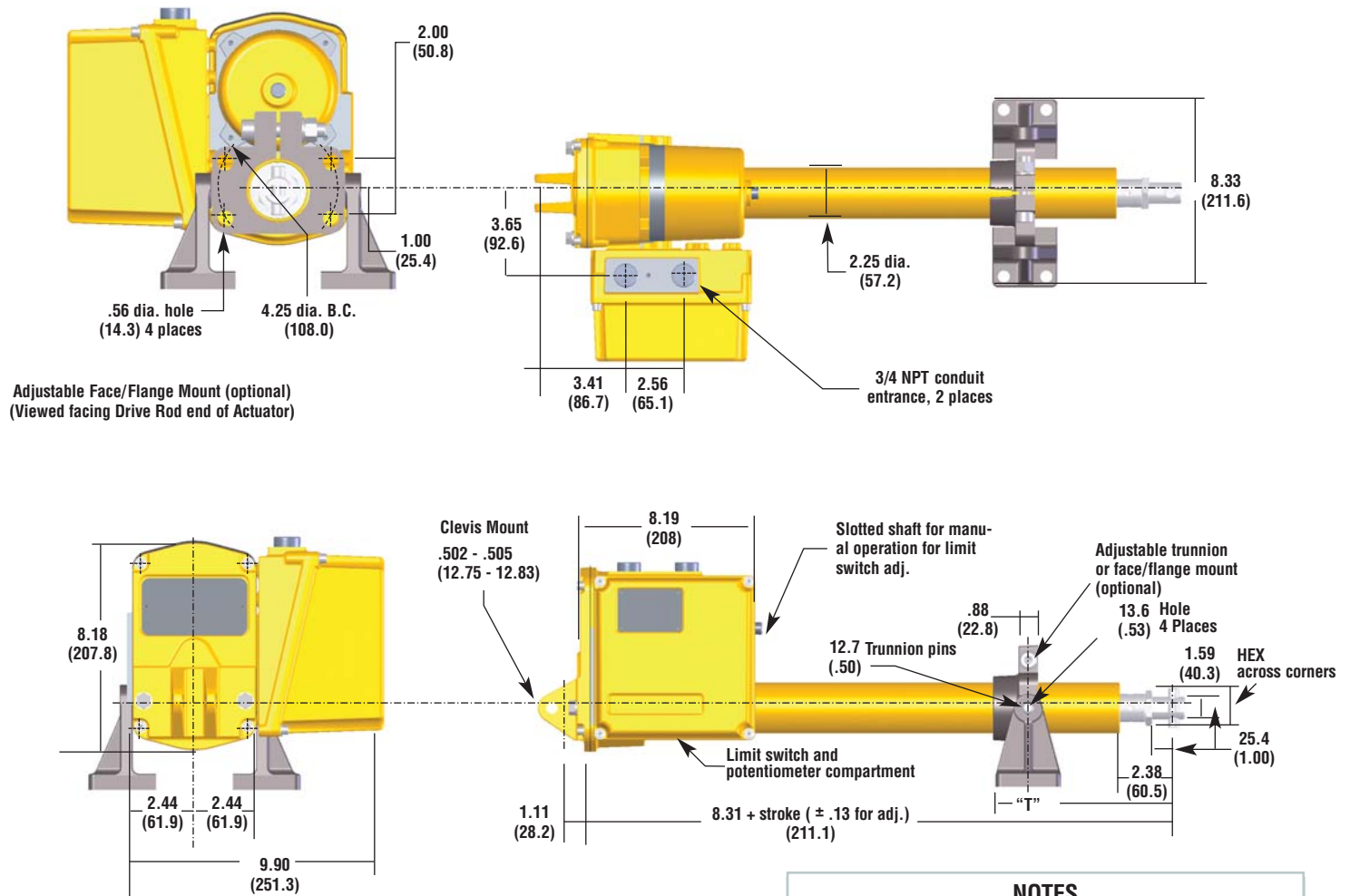
- 230 VAC, 460 VAC and 575 VAC, 60 Hz, 3 Phase Motor
- Potentiometer (all metal gear driven)
- Integral position process control board for modulating applications
- 4-20mA Position Transmitter
- Adjustable trunnion mount and trunnion brackets
- Adjustable face/flange mount
- Manual override



# EAGLE® LINEAR ACTUATORS



## DIMENSIONS



### NOTES

1. Unbracketed dimensions are in inches
2. Bracketed dimensions ( ) are in millimeters
3. Dimensions shown with actuator fully retracted

### EAGLE ELECTRICAL CYLINDER PERFORMANCE

3100 Series				
Velocity (in./sec.)	Breakaway Force (lbs)	Running Force (lbs. at 5% duty)	Weight Range (lbs.)	Stroke (in.)
0.2	2000	1000	35-75	6, 12
0.4	1500	750		18, 24
0.8	750	340		30 & 36
2.0	500	200		

### ADJUSTABLE TRUNNION OR FACE/FLANGE

"T" Adjustable Dimension		
Stroke	Inches	Millimeters
6	2.38 - 2.88	(60.45 - 73.15)
12	2.38 - 8.00	(60.45 - 203.20)
18	2.38 - 14.00	(60.45 - 355.60)
24	2.38 - 20.00	(60.45 - 508.00)
30	8.38 - 26.00	(12.85 - 660.40)
36	14.38 - 32.00	(365.25 - 812.80)



Dresser Industrial Products Group, Dresser, Inc.  
16240 Port Northwest Dr., Houston, TX 77041-2645  
Tel: Toll Free 800.945.9898 • 832.590.2306 • Fax: 713.849.2879  
andco@dresser.com • www.andcoactuators.com

